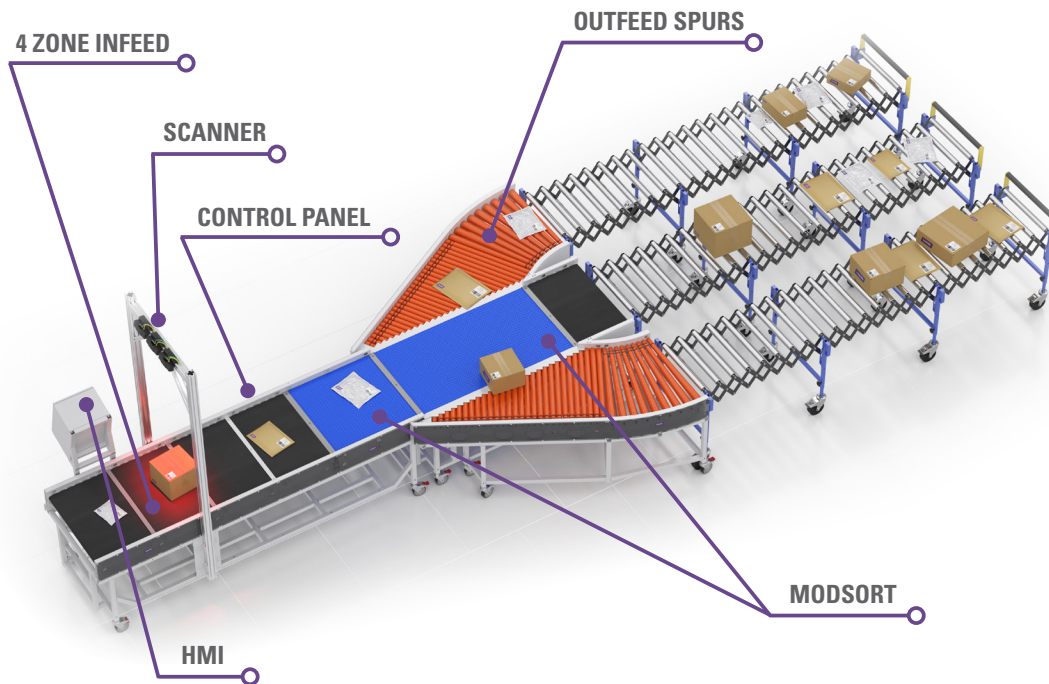


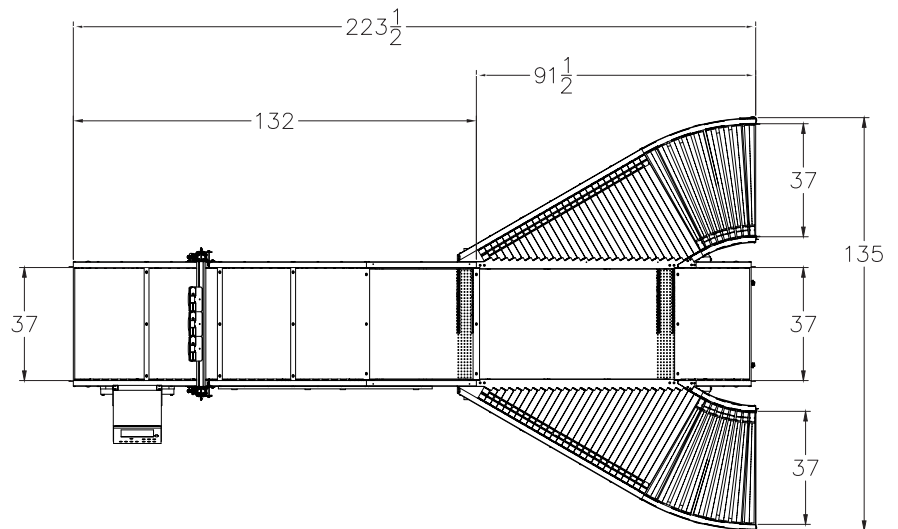
**MODSORT® TRIDENT
MOBILE 3-WAY
SORTER**



Ideal for increasing depth of sortation or splitting flow of product with a mobile, scalable, approachable, and energy efficient solution.

Works well with:

- Cartons
- Polybags
- Flats
- Jiffy Packs



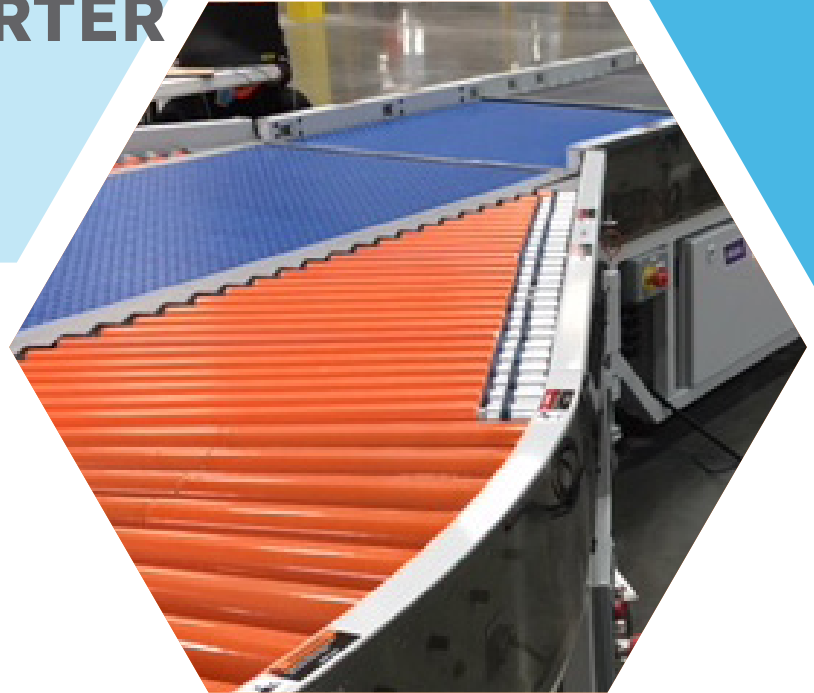
MODSORT® TRIDENT MOBILE 3-WAY SORTER

TYPICAL APPLICATIONS

- Inbound Sorts
- Reverse Logistics / Returns
- Cross Docking

WHAT DOES THE TRIDENT 3-WAY SORTER DO?

- Gaps the product
- Scans the package label
- Communicates with WMS for sort decision
- Diverts left or right onto 30° spur, or straight pass through
- 3 sorting locations (available to have additional sorting location)



TRIDENT 3-WAY SORTER FEATURES

- For throughputs up to 3,600 pph and weights up to 50 lbs (Rates are dependent on package profile, weight, and application review)
- Four-zone belted MDR infeed
- Dual-divert ModSort pre-justification zone
- Triple-divert ModSort sort zone
- 30° MDR powered spurs
- Frame mounted HMI operator control panel with push buttons for start/stop, reset, communications fault, and emergency stop
- Integrated PLC controller/power panel
- Fully welded support frame with casters
- Four 40-amp 24-volt DC power supplies
- Network switch
- Optional NAT
- I/O sub panels for MDR motor controller cards

**SYSTEM
PLAST®**

MODSORT®

Motion Control Solutions Regal Rexnord

7120 New Buffington Road
Florence, KY 41042

Customer Service: 800-626-2120
Technical Service: 800-626-2093

www.modsort.com

The proper selection and application of products and components, including assuring that the product is safe for its intended use, are the responsibility of the customer. To view our Application Considerations, please visit <https://www.regalrexnord.com/Application-Considerations>.

To view our Standard Terms and Conditions of Sale, please visit <https://www.regalrexnord.com/Terms-and-Conditions-of-Sale> (which may redirect to other website locations based on product family).

"Regal Rexnord" is not indicative of legal entity.

Regal Rexnord, ModSort and System Plast are trademarks of Regal Rexnord Corporation or one of its affiliated companies.

© 2021, 2022 Regal Rexnord Corporation, All Rights Reserved.
MCSS122009E • Form# 10431E

RegalRexnord™